



# DENSO

## THE FLEXIBLE STANDARD SOLUTION



### HS-SERIES 350 - 550mm

**COMPREHENSIVE LINE-UP** 3 model variations; 350mm, 450mm and 550mm reach

**ABUNDANT VARIATIONS** Standard (IP40), Bellows on 3rd axis (IP40/65), Dust & splash proof (IP65), Clean room type (Class 10) and UL

**HIGH SPEED** Standard cycle time of 0.35 seconds

**HIGH POWER** One of the highest applicable maximum moment of inertia in its class

**CEILING MOUNTING** 2 model variations; 450mm and 550mm



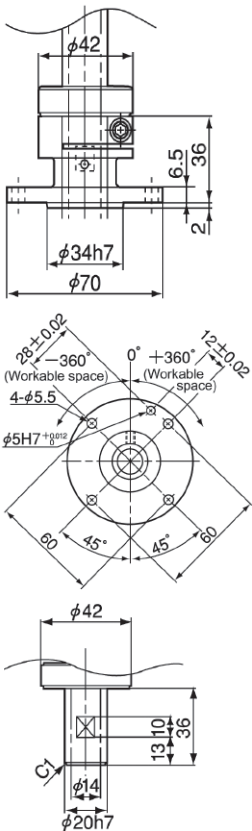
# DENSO

## MAIN SPECIFICATIONS HS-SERIES 350 - 550mm

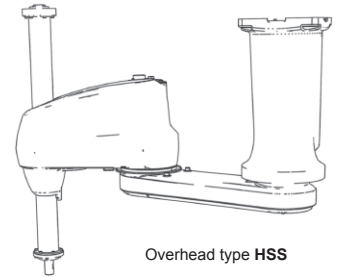
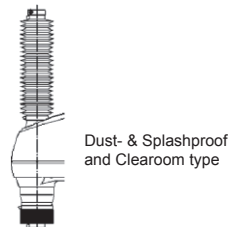


	HS-4535	HS-4545	HS-4555
<b>Reach (till center 5th axis):</b>	350mm	450mm	550mm
<b>Maximum payload:</b>	5 kg	5 kg	5 kg
<b>Composite maximum speed:</b>	7200mm/sec	6300mm/sec	7100mm/sec
<b>Cycle time:</b>	0.35 sec	0.35 sec	0.35 sec
<b>Position repeatability:</b>	±0.015mm	±0.02mm	±0.02mm
<b>Max. moment of inertia:</b>	0.1 kg/m <sup>2</sup>	0.1 kg/m <sup>2</sup>	0.1 kg/m <sup>2</sup>
<b>Total weight (approx):</b>	20 kg	20 kg	20 kg
<b>Motion angle:</b>	<b>J1: ±155°, J2: ±145, T: ±360°</b>		
<b>Z-axis (vertical stroke):</b>	200mm, option: 320mm		
<b>Protection class:</b>	Standard: IP40, option: IP40/65, IP65, CC10		
<b>Position detection:</b>	Absolute encoder		
<b>Maximum force fit:</b>	98N (one second or less)		
<b>Wiring (integrated in arm):</b>	19 lines (max. 1Amp, for signaling)		
<b>Air piping (integrated in arm):</b>	4 systems (Ø4x2, Ø6x2)		
<b>Remark:</b>	4th axis flange is optional		

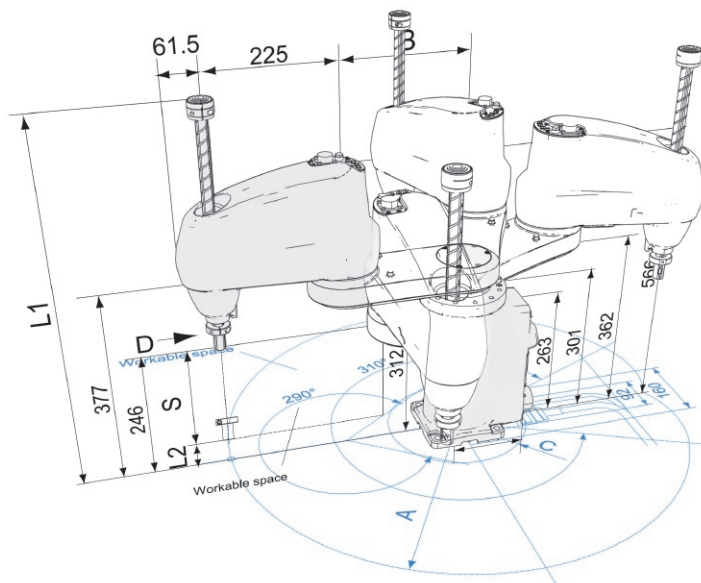
Flange (option) mounting face



Detailed drawing of end-effector mounting face (View: D)

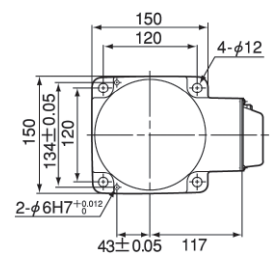


Overhead type HSS



Dimensions

Model	A	B	C
HS-4535*G	350	125	143
HS-4545*G	450	225	136
HS-4555*G	550	325	191



Detailed drawing of base mounting face (Top View)

unit: mm